

Technical Data sheet: DOC0002525
Product code: V40045

This is an assembly instruction for Trojan stand-by pump that is used as a replacement kit in the units that are shown in the lists below. The lists show the retrofit kit that should be used and the set of pipes that should be manufactured. The kit replaces old types of stand-by pump. In the page 2, the picture shows the assembly with its components and after, there are detailed instructions for the replacement of the stand-by pump for each standard unit.

1. SPU (Sprinkler Pump Units)

<u>Product name</u>	<u>Stock Code</u>	<u>Retrofit kit</u>	<u>Set of pipes</u>
SPU 1+1 140-x/97 SEP xx	E01216.2	V40045	V40055
SPU 2	E01234.2	V40045	V40055
SPU 2 140-x/195 SEP xx	E01219.1	V40045	V40055
SPU 2+1 140-x/195 SEP xx	E01221.4	V40045	V40056
SPU 3	E01235.1	V40045	V40056
SPU 3 140-x/292 SEP xx	E01222.1	V40045	V40056
SPU 3+1 140-x/292 SEP xx	E01223.003	V40045	V40056
SPU 4	E01236.1	V40045	V40056
SPU 4 140-x/390 SEP xx	E01224.1	V40045	V40056
SPU 4+1 140-x/390 SEP xx	E01225.1	V40045	V40056
SPU 5	E01237.1	V40045	V40056
SPU 5 140-x/487 SEP xx	E01227.1	V40045	V40056
SPU 5+1 140-x/487 SEP xx	E01230.4	V40045	V40056
SPU 6	E01238.1	V40045	V40056

2. MSPU (Modular Sprinkler Pump Units)

<u>Product name</u>	<u>Stock Code</u>	<u>Retrofit kit</u>	<u>Set of pipes</u>
SPU2-Modular	E012601.1	V40045	V40057
SPU3-Modular	E012602.1	V40045	V40057
SPU4-Modular	E012603	V40045	V40057
SPU5-Modular	E012604	V40045	V40057
SPU6-Modular	E012605	V40045	V40057

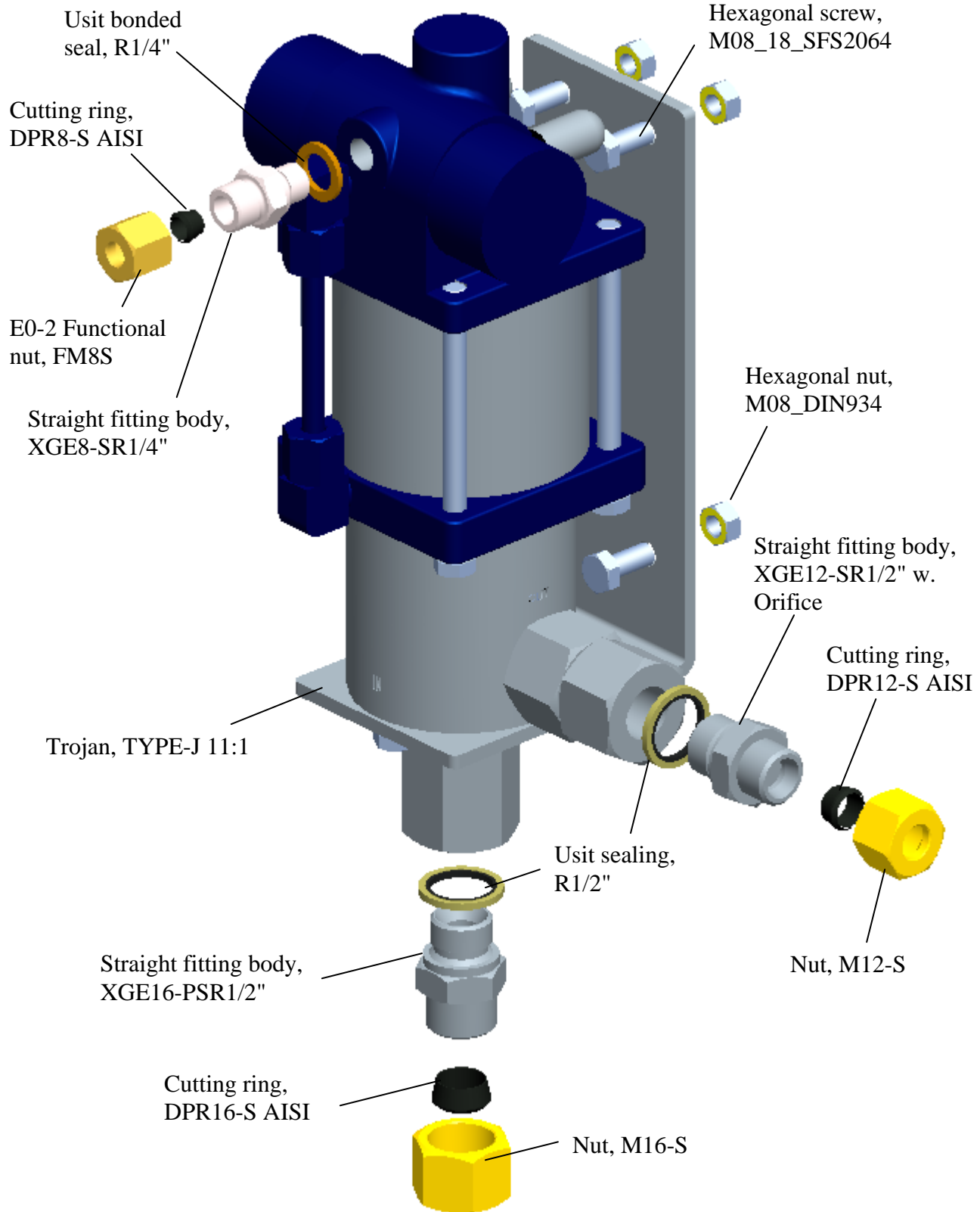
3. SPUD (Diesel Driven Sprinkler Pump Unit)

<u>Product name</u>	<u>Stock Code</u>	<u>Retrofit kit</u>	<u>Set of pipes</u>
SPUD380 MASTER	E0115102	V40045	V40058

4. GPU (Gas Driven Pump Unit)

<u>Product name</u>	<u>Stock Code</u>	<u>Retrofit kit</u>	<u>Set of pipes</u>
GPU6 DF	E61045	V40045	V40059
GPU6 WF	E61046	V40045	V40059
GPU6 DF / 9+9G-V	E61024	V40045	V40060
GPU6 DF / 9+9G-D	E61025	V40045	V40060
GPU6 WF / 12G 6W --V	E61030	V40045	V40061
GPU6 WF / 12G 6W --D	E61031	V40045	V40061
GPU6 WF / 14G 6W --V	E61033.2	V40045	V40061
GPU6 WF / 14G 6W --D	E61034	V40045	V40061

The picture 1 shows the Trojan stand-by pump assembly with the components. All the necessary information can be found in the table 1.



pic.1, the components of the assembly

No.	Description	Product code	Quantity
1	Trojan, type-J 11:1	E40040	1
2	Straight fitting body, XGE8-SR1/4"	B10018	1
3	E0-2 Functional nut, FM8S	B15122 / B15123	1
4	Usit bonded seal, R1/4"	G11015 / G11016	1
5	Cutting ring, DPR8-S AISI	B15010	1
6	Straight fitting body, XGE12-SR1/2" w. Orifice	B10047	1
7	Nut, M12-S	B15130	1
8	Usit sealing, R1/2"	G11026	2
9	Cutting ring, DPR12-S AISI	B15020	1
10	Straight fitting body, XGE16-PSR1/2"	B10058	1
11	Nut, M16-S	B15140	1
12	Cutting ring, DPR16-S AISI	B15025	1
13	Hexagonal screw, M8X16 SFS2064	F10038	4
14	Hexagonal nut, M08_DIN934	F40046	4
15			
16	Pipe clamp, RAP-216	A11070	2
17	Top plate, DP-A2	A12010	1
18	Hexagonal screw, DIN931-SFS2063	F10037.2	2
19	Hexagonal nut, M06 DIN934	F40035	2

table 1, the components' list and their specifications

NOTES:

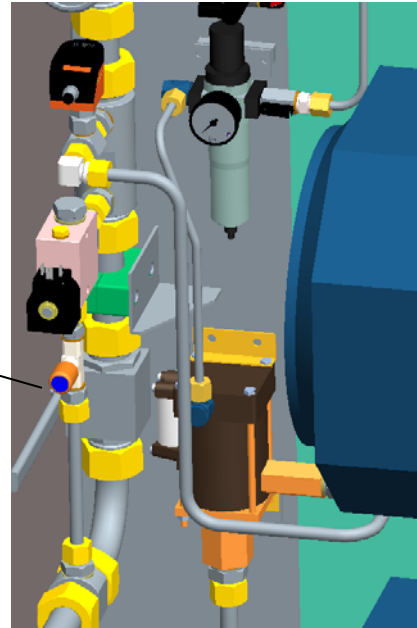
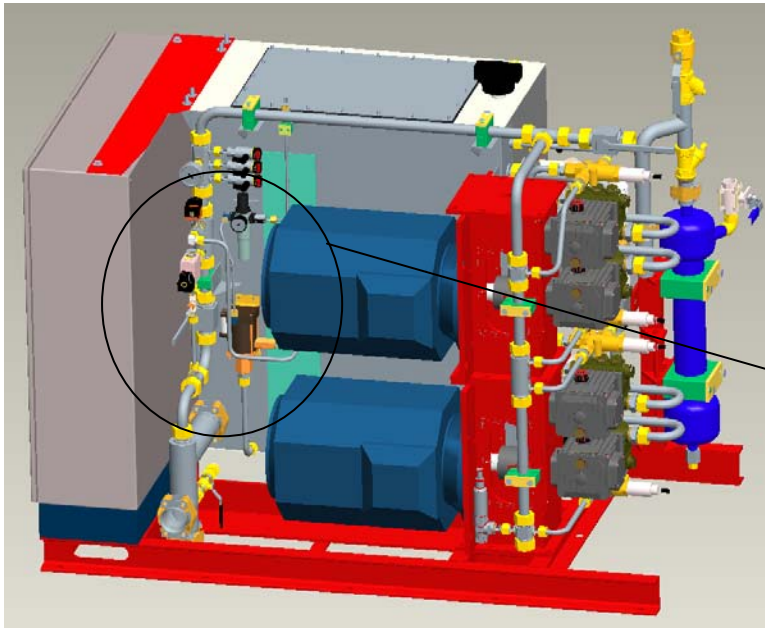
- The components in numbers 16, 17, 18, 19 are used only in the units with 4 to 6 motors. In these units the position of a pipe with electric cables has to change (further details in page 5).
- The components in numbers 6, 7 and 8 (one piece) are not used in the GPUs.

Instructions for the replacement of the stand-by pump

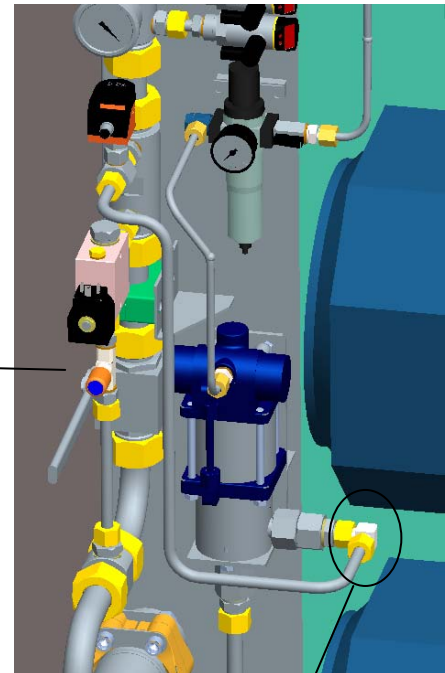
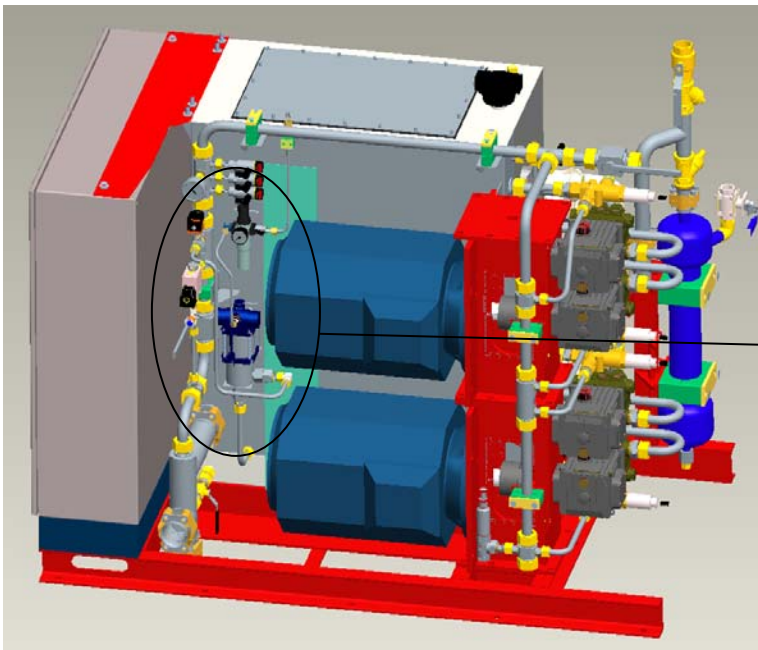
1) For the units:

<u>Product name</u>	<u>Stock Code</u>
SPU 1+1 140-x/97 SEP xx	E01216.2
SPU 2	E01234.2
SPU 2 140-x/195 SEP xx	E01219.1

These units use the retrofit kit 1 with product code V40045 and a set of piping with product code V40055.



pic.2, SPU 1+1 140-x/97 SEP xx, with the Haskel stand-by pump



pic.3, the unit with the Trojan stand-by pump

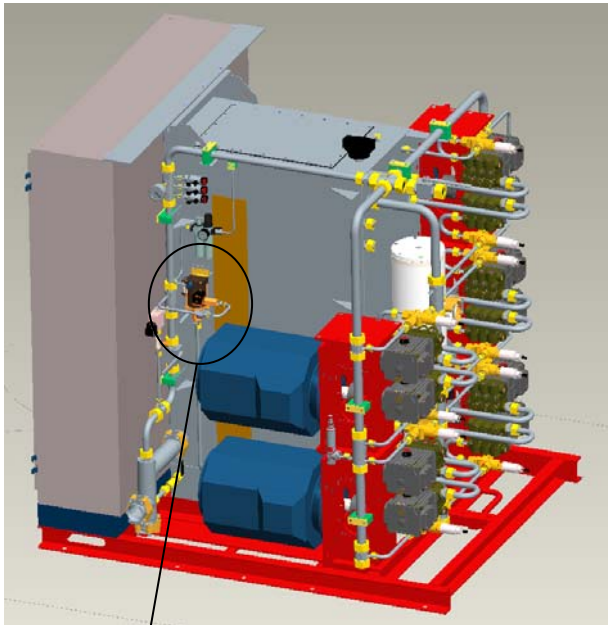
The trojan stand-by pump will fit on the existing support and 2 screws + 2 nuts will be used.

The elbow was on the other side of the 12mm pipe. It was transferred here for the better fitting of the pipes.

2) For the units:

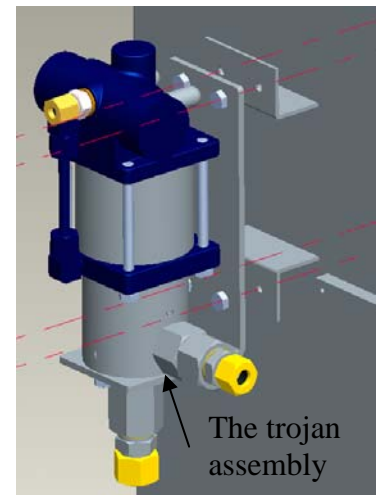
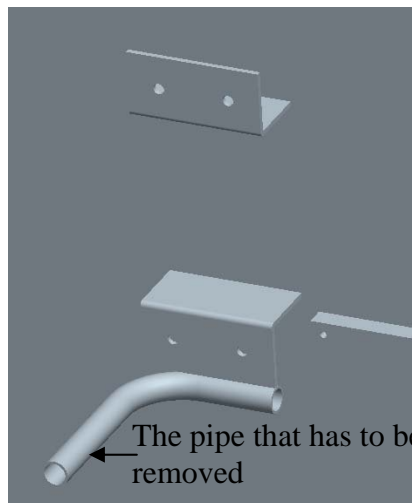
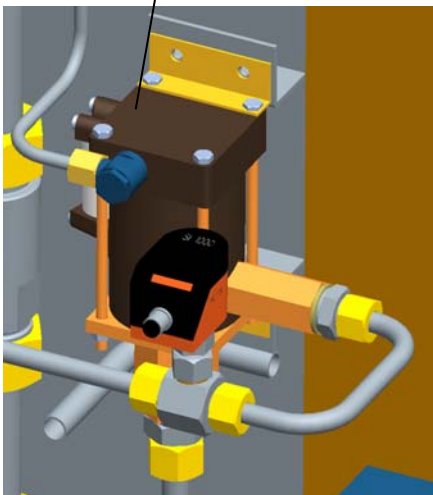
<u>Product name</u>	<u>Stock Code</u>
SPU 2+1 140-x/195 SEP xx	E01221.4
SPU 3	E01235.1
SPU 3 140-x/292 SEP xx	E01222.1
SPU 3+1 140-x/292 SEP xx	E01223.003
SPU 4	E01236.1
SPU 4 140-x/390 SEP xx	E01224.1
SPU 4+1 140-x/390 SEP xx	E01225.1
SPU 5	E01237.1
SPU 5 140-x/487 SEP xx	E01227.1
SPU 5+1 140-x/487 SEP xx	E01230.4
SPU 6	E01238.1

These units use the retrofit kit 1 with product code V40045 and the set of piping with product code V40056.

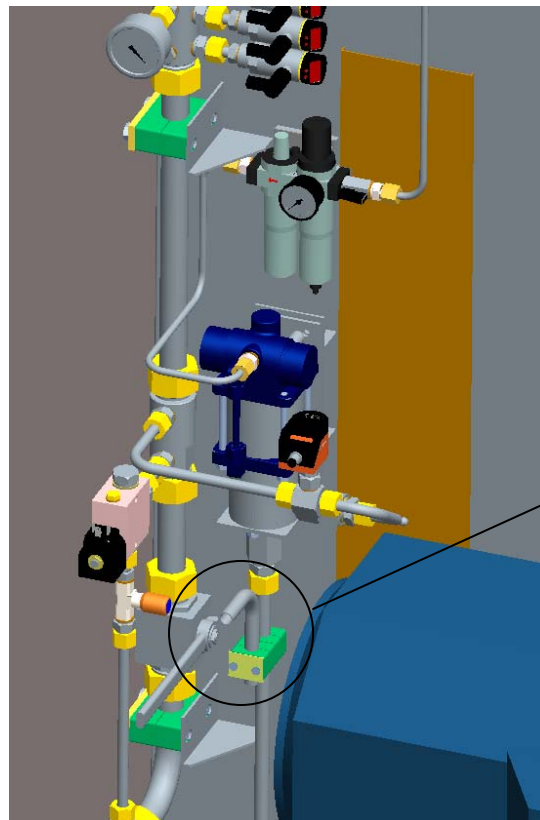


The picture 5 shows the 2 supports on which the Trojan stand-by pump will fit. But for the new one to fit, the pipe for the electric cables that has been welded on the bottom support, must be removed. Not all the units have this pipe. The pipe should be put again in the way that is shown in the picture 6 with the clamps that are provided.

pic.4, SPU 4+1 140-x/390 SEP xx



pic.5, the pipe for the electric cables has to be removed

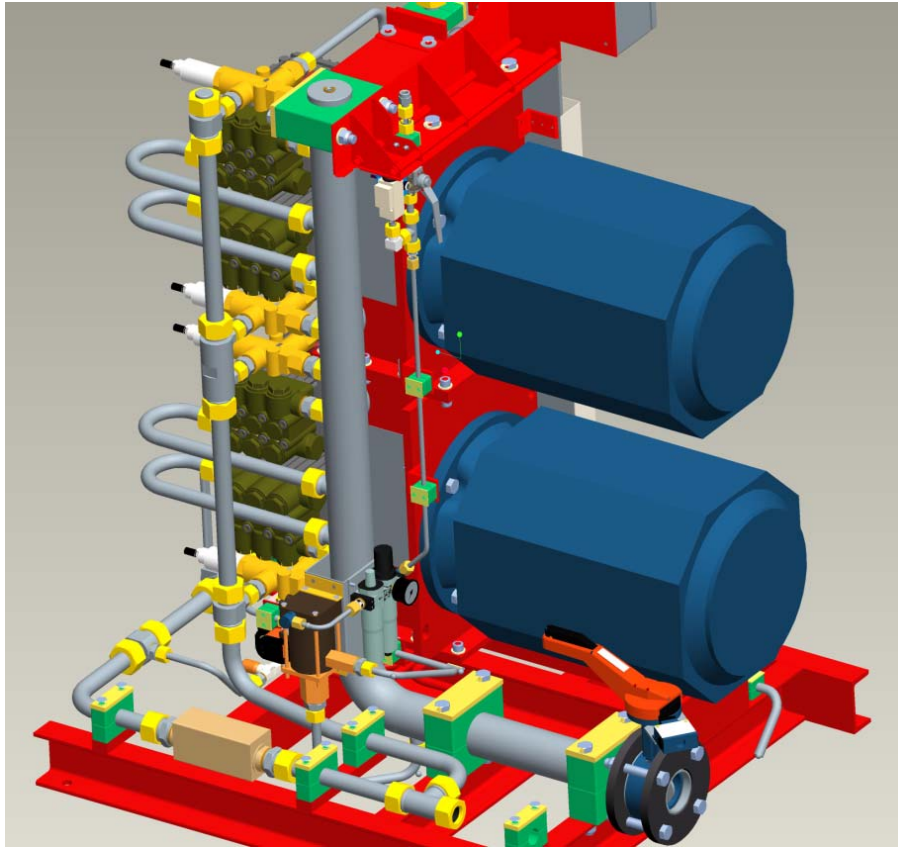


pic.6, the unit with the Trojan standby pump

3) For the units:

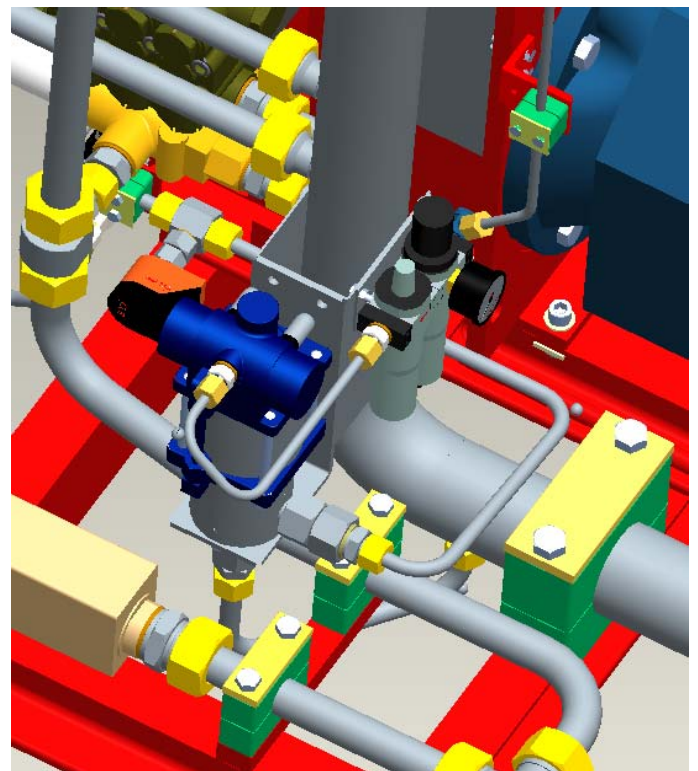
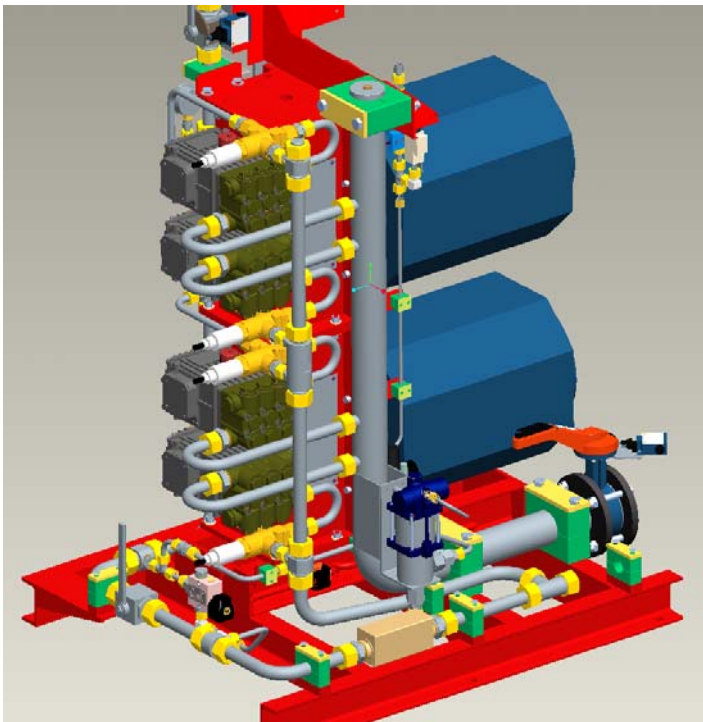
<u>Product name</u>	<u>Stock Code</u>
SPU2-Modular	E012601.1
SPU3-Modular	E012602.1
SPU4-Modular	E012603
SPU5-Modular	E012604
SPU6-Modular	E012605

These units use the retrofit kit 1 with product code V40045 and the set of pipes with product code V40057.



pic.7, SPU2-Modular

The Trojan stand-by pump fits on the existing holes. The new piping is also shown in the pictures below.

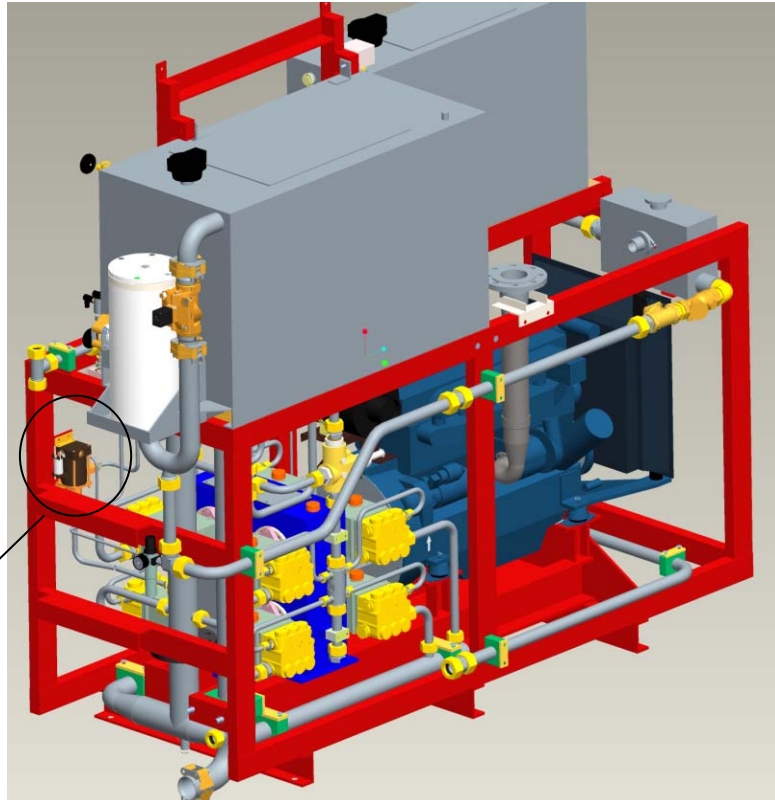


pic.8, the unit with the Trojan stand-by pump

4) For the unit:

<u>Product name</u>	<u>Stock Code</u>
SPUD380 MASTER	E0115102

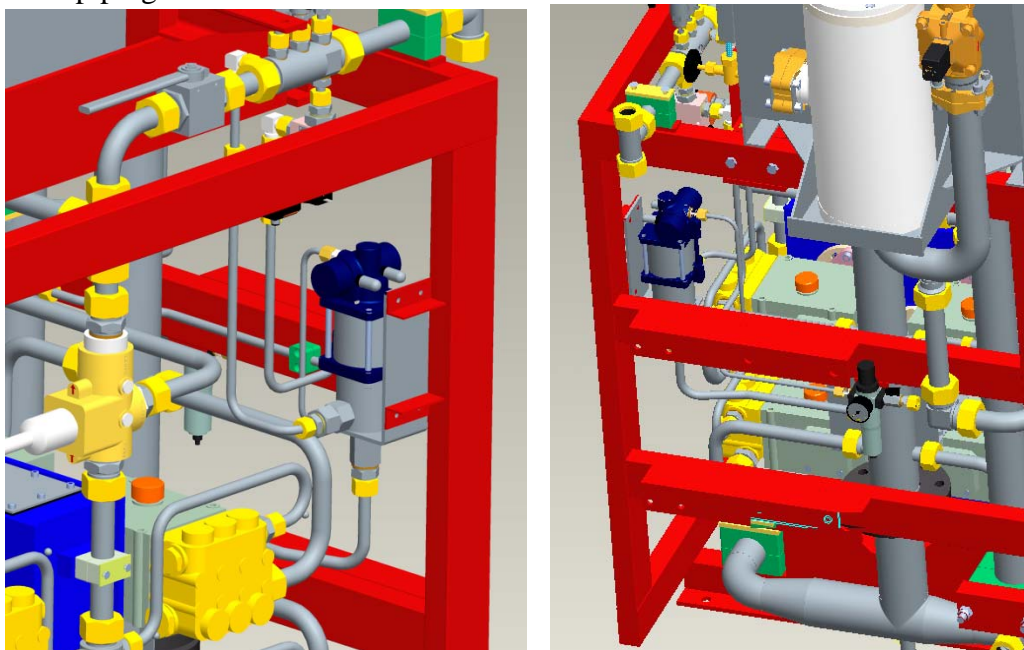
The unit uses the retrofit kit 1 with product code V40045 and the set of piping with product code V40058.



The Haskel stand-by pump

pic.9, SPUD master

The Trojan stand-by pump can fit on the existing supports in the place of the Haskel pump. The picture 10 shows also the new piping

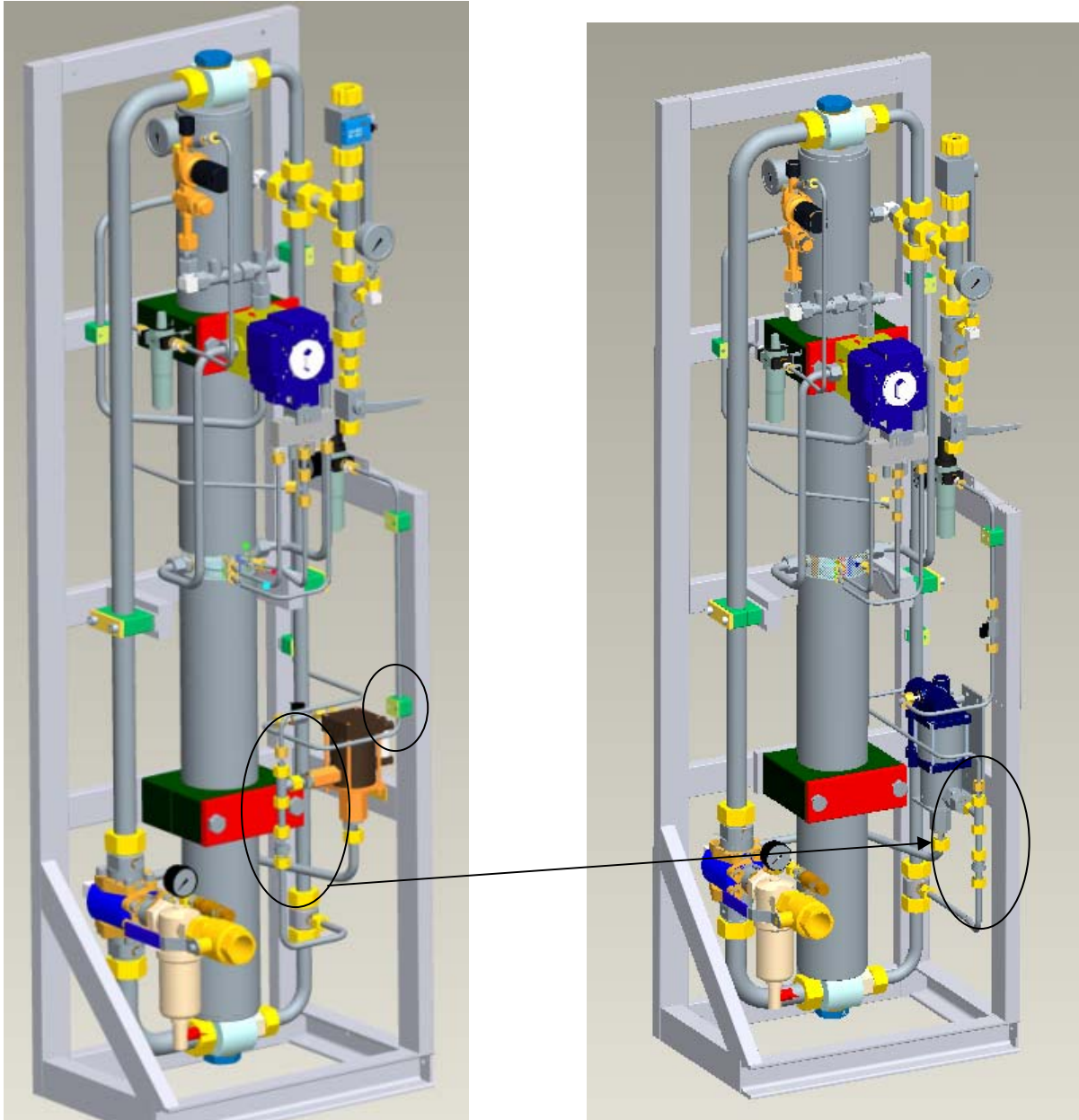


pic.10, The unit with the new Trojan stand-by pump

5) For the units:

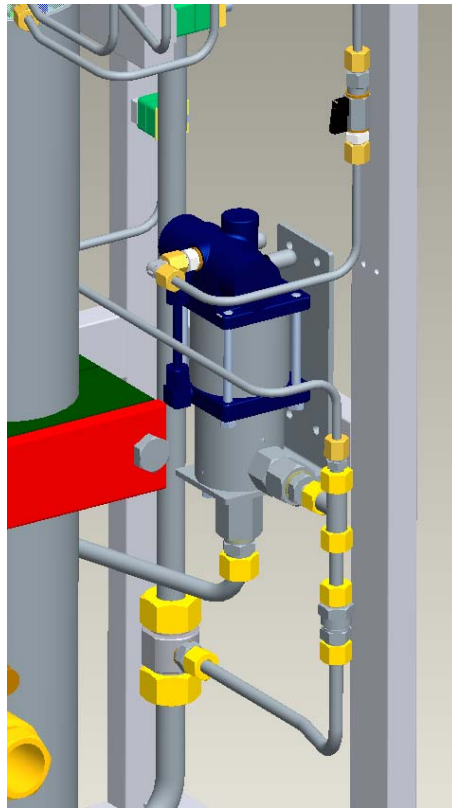
<u>Product name</u>	<u>Stock Code</u>
GPU6 DF	E61045
GPU6 WF	E61046

These units use the retrofit kit 1 with product code V40045 and the set of pipes with product code V40059.



pic.11, the unit before and after

The picture 11 shows the unit before and after the replacement of the stand-by pump. The Trojan pump can fit on the 2 existing holes. The assembly that is in circle is going to be used again as it is shown in the picture. In addition, the pipe clamp that is in the circle has to be taken away. The following components: straight fitting body XGE12-SR1/2" w. Orifice, Nut M12-S, Usit sealing R1/2", although they are included in the Trojan assembly, they will not be needed.

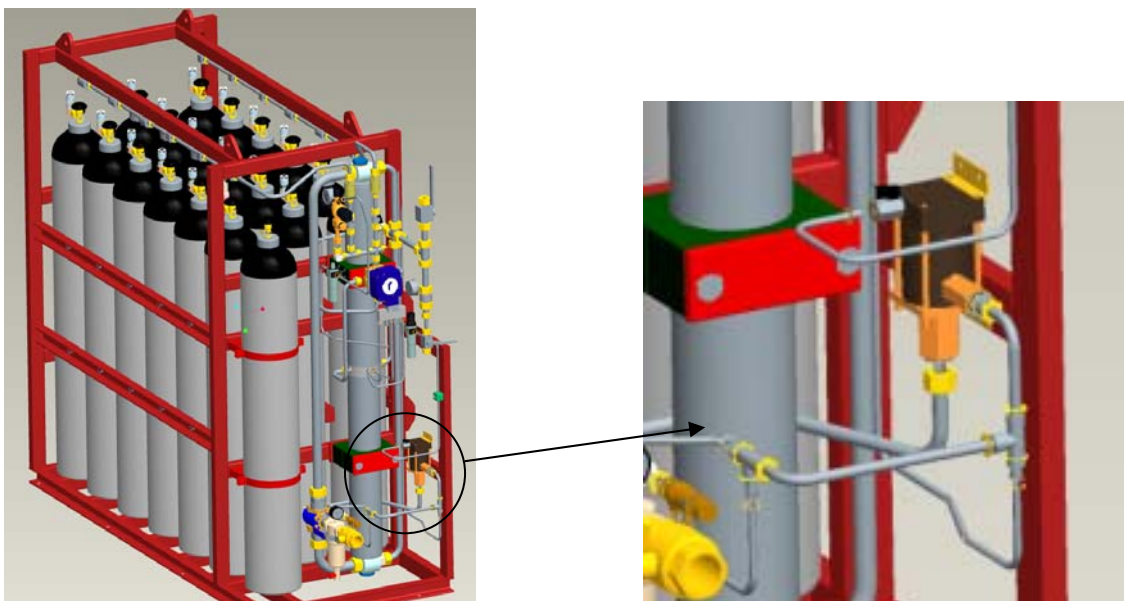


pic.12, A detailed view of the stand-by pump

6) For the units:

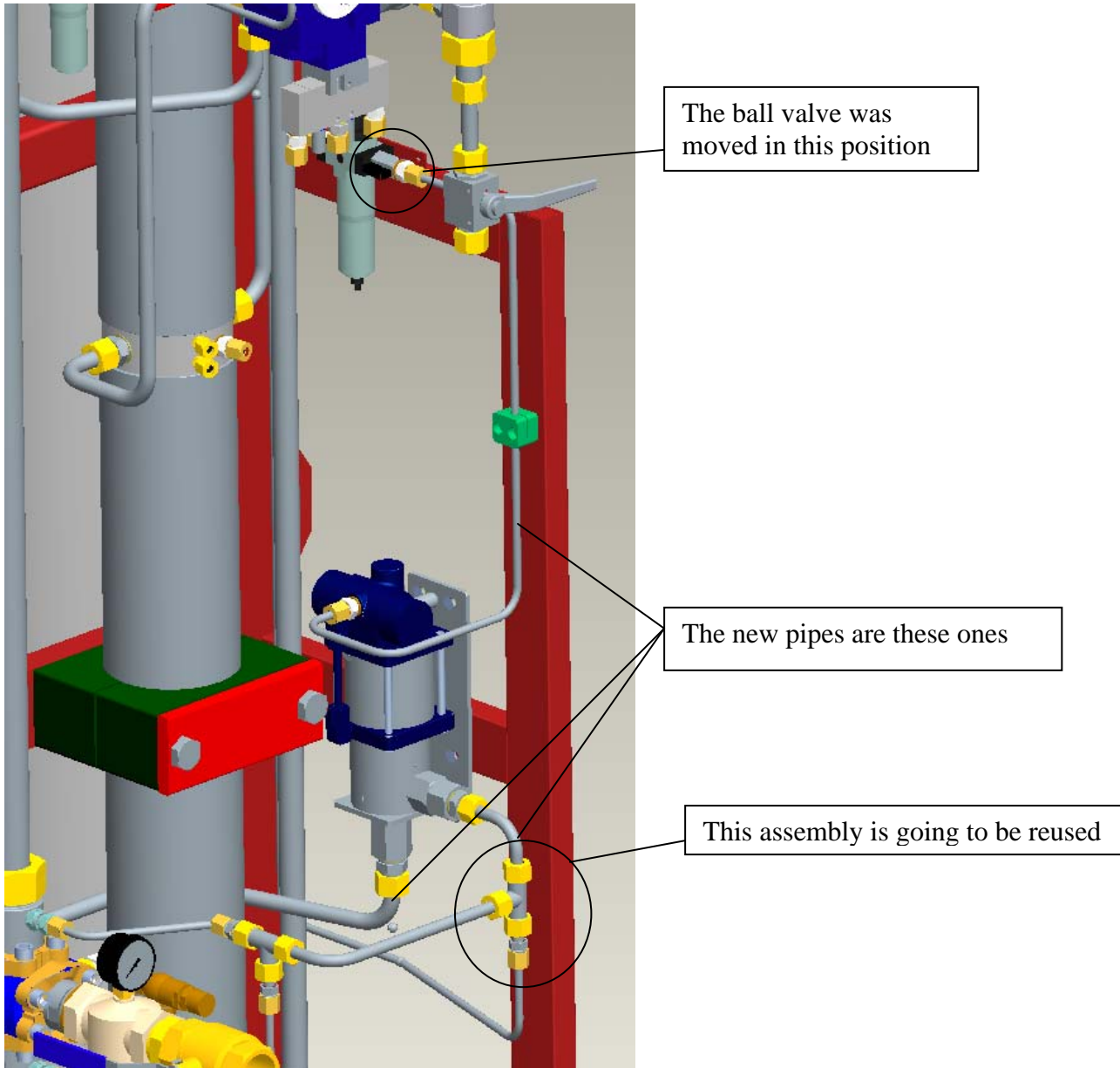
<u>Product name</u>	<u>Stock Code</u>
GPU6 DF / 9+9G-V	E61024
GPU6 DF / 9+9G-D	E61025

These units use the retrofit kit 1 with product code V40045 and the set of pipes with product code V40060.



pic.14, GPU6 DF / 9+9G-V

The Trojan stand-by pump fits in the existing holes as it is shown in the picture 15. In order for the pump to fit, the pipes that are going to be used again might need to be cut.

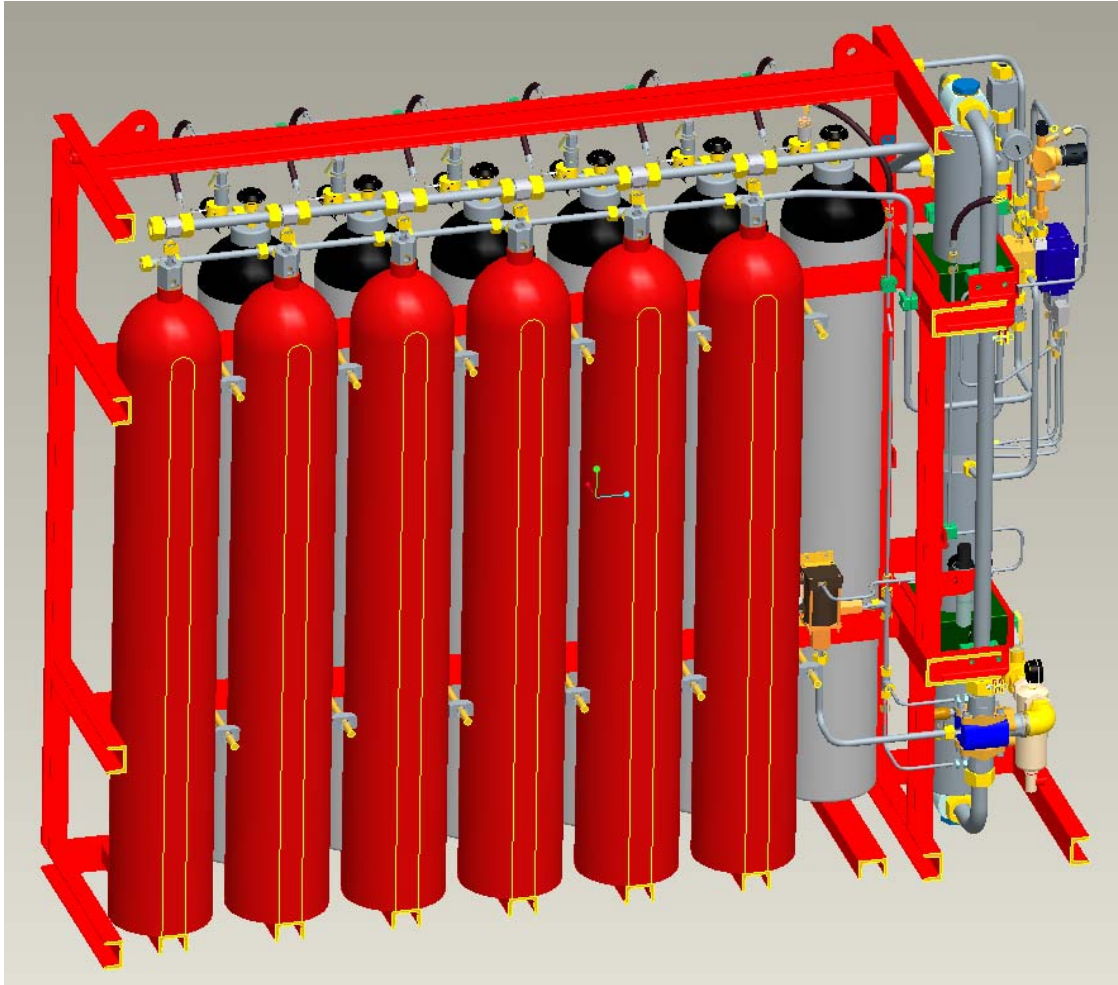


pic. 15, the unit with the Trojan stand-by pump

7) For the units:

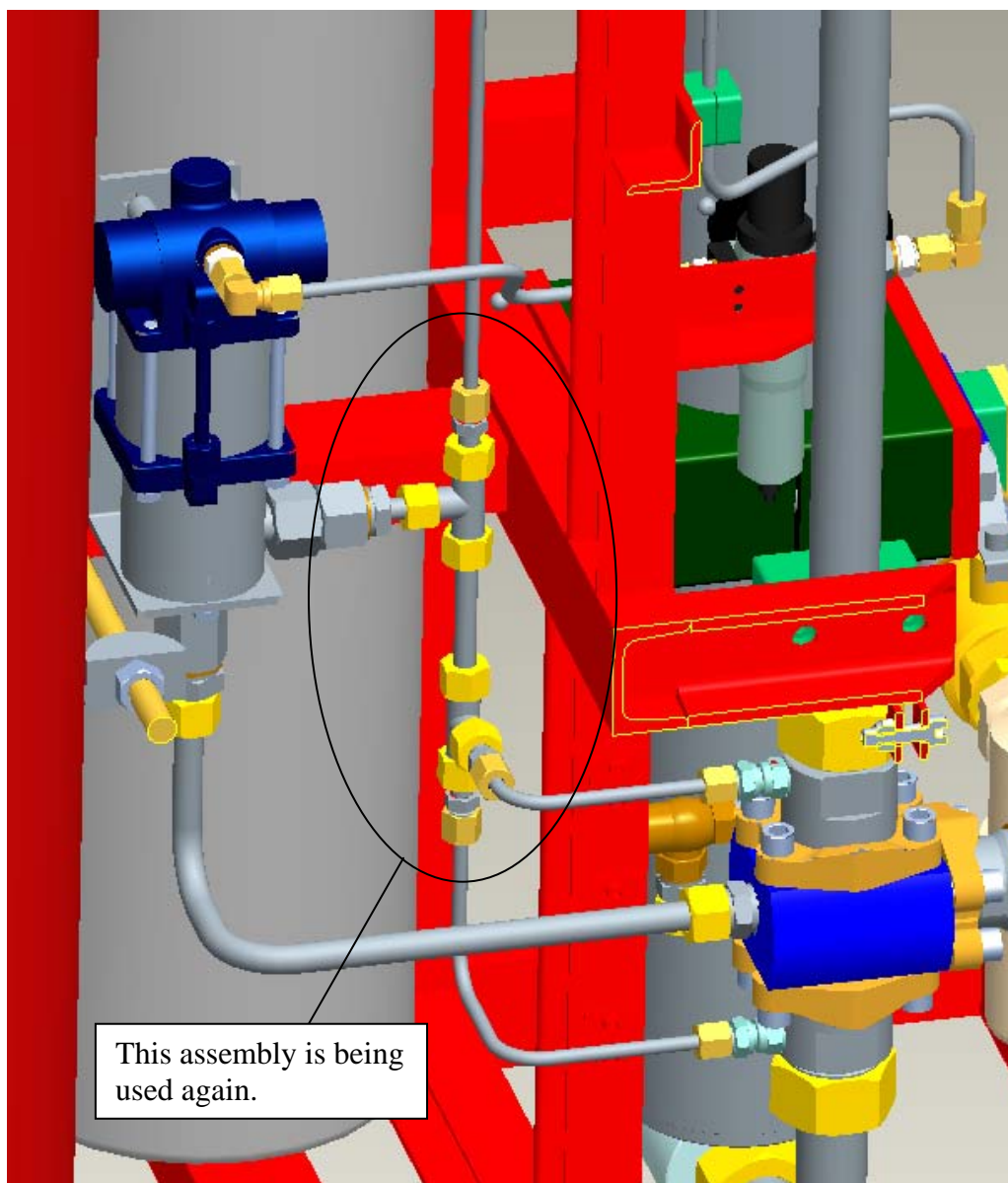
<u>Product name</u>	<u>Stock Code</u>
GPU6 WF / 12G 6W --V	E61030
GPU6 WF / 12G 6W --D	E61031
GPU6 WF / 14G 6W --V	E61033.2
GPU6 WF / 14G 6W --D	E61034

These units use the retrofit kit 1 with product code V40045 and the set of piping with product code V40061.



pic.16, A section of the unit GPU6 WF / 12G 6W –V

The Trojan stand-by pump can fit on the 2 existing holes. 2 screws and 2 nuts are going to be used. In order for the pump to fit, the pipes that are going to be used again might need to be cut. The picture 17 shows a detailed view of the updated unit with the new piping. The following components: straight fitting body XGE12-SR1/2" w. Orifice, Nut M12-S, Usit sealing R1/2", although they are included in the Trojan assembly, they will not be needed.



pic.17, the unit with the Trojan stand-by pump